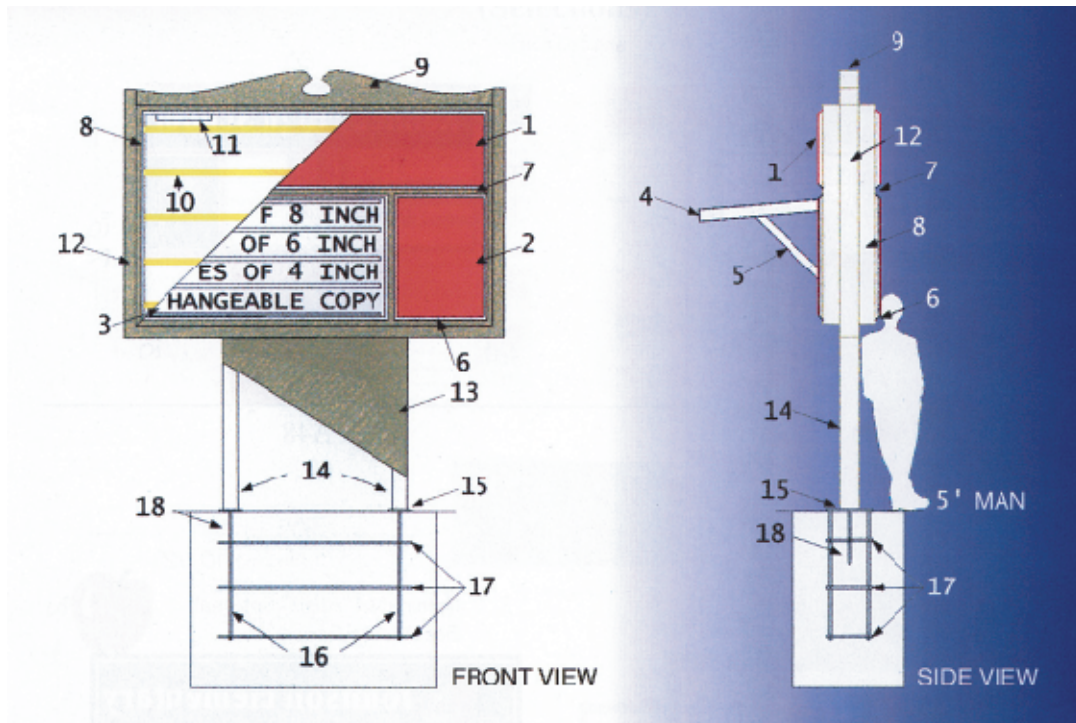


Outdoor Institutional Signs

CHURCH • BUSINESS • CIVIC • SCHOOL

Excelsior
SERIES



SIGN SPECIFICATIONS

1. **ID Panel** - prominently displays identification graphics.
2. **Logo Panel** - distinct area to display applicable symbol, emblem, mascot or logo graphics.
3. **Message Panel** - tracked to accommodate changeable copy.
4. **Vandal Cover** - protects changeable copy from vandalism, environment.
5. **Vandal Cover Props** - automatically restrains the Vandal Cover in an upright position to facilitate changing copy. Closes with a secondary finger lift and secured with keyed locks.
6. **Draft** - provides face rigidity and depth dimension created by thermal forming the Lexan™ face.
7. **Divider Stripe** - vacuum formed into the face to provide distinctive panels & face rigidity.
8. **Cabinet** - extruded aluminum in depths of 7", 9", 10.75" as applicable.
9. **Decorative Trim** - an aesthetic option.
10. **Fluorescent Lamps** - high output GE cool white.
11. **Ballast** - Advance™ instant start, cold weather compatible.
12. **Yoke** - on specific models an appealing exterior Support structure.
13. **Cowling** - decorative trim covering the legs.
14. **Legs** - the support columns that transfer the wind load to the ground.
15. **Base Plates** - welded to legs, the final connection between legs and anchor bolts.
16. **Anchor Bolts** - galvanized steel bolts.
17. **Rebar** - steel reinforcement for concrete foundation.
18. **Electrical Conduit** - placed into foundation at the pour to result in a non-exposed electrical supply route and connection.

1-800-325-3745

Visit us online: www.CotterAdvertising.com

Cotter Advertising

America's Sign Company for Over 50 Years!